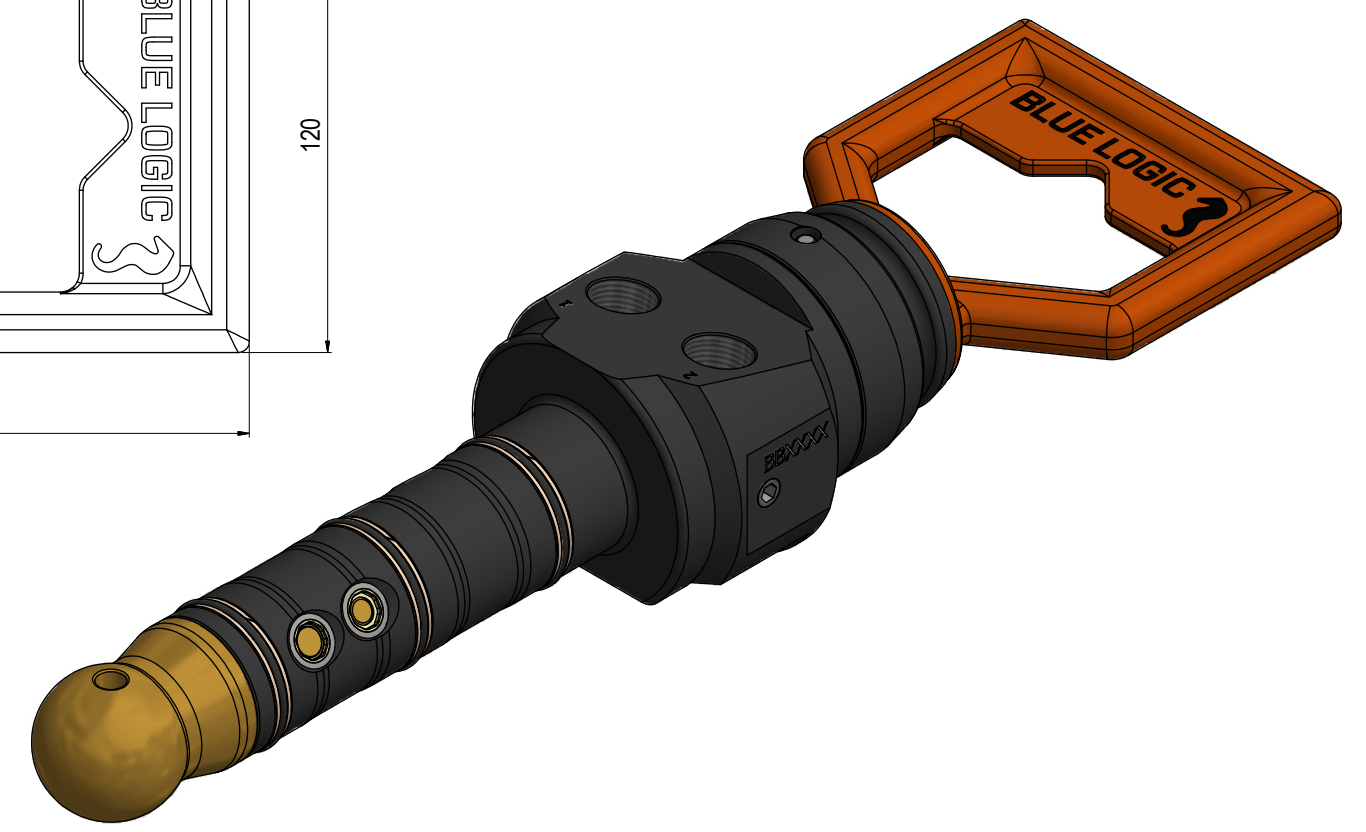
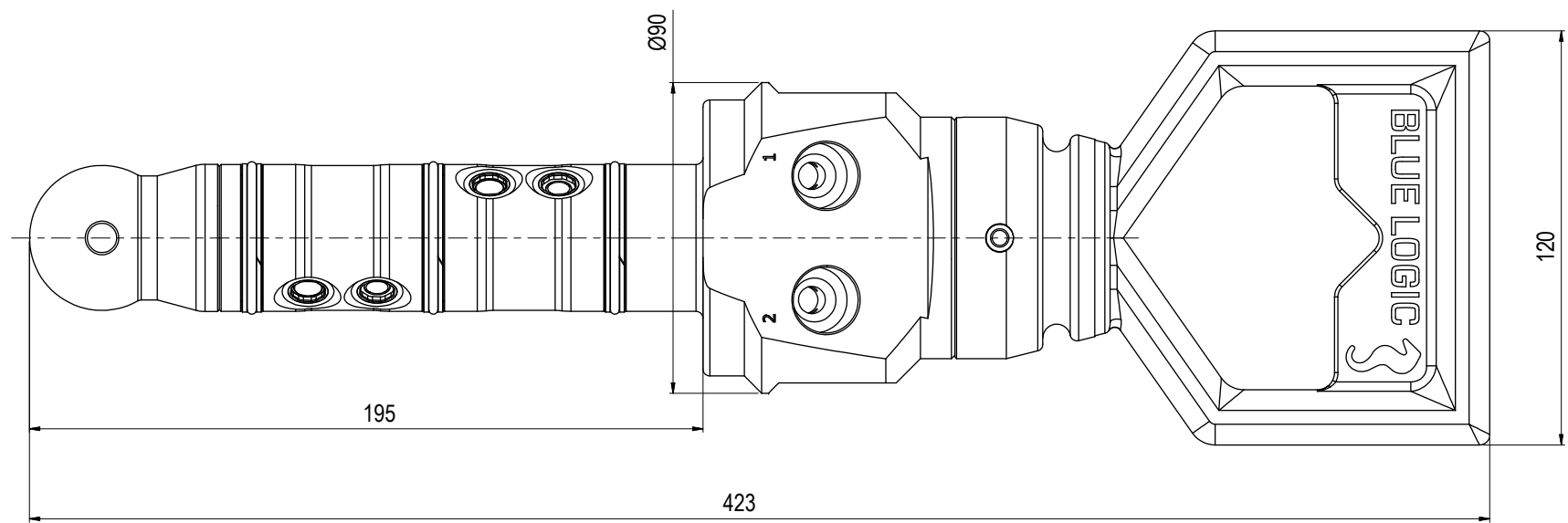
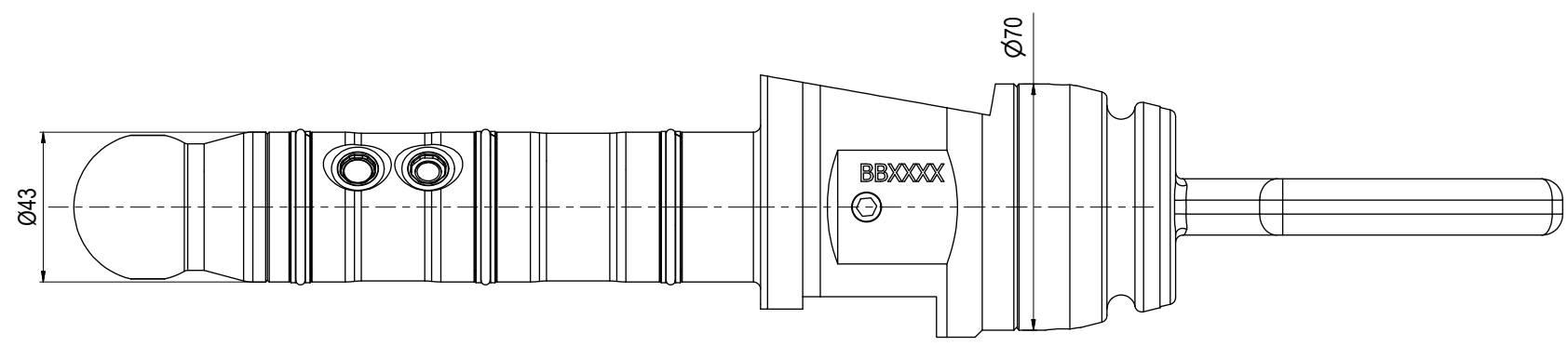


NOTE: 1
 DESIGN CODE:
 Design Code/Standard
 API 17H Type 1

NOTE: 2
 TECHNICAL CLASSIFICATION:
 Article Type: 001-Hot Stabs
 Main Group: 1.03. Ø43 Hot Stab
 Intermediate Group: 1.2.01. Stab
 Sub Group: 1.2.5.02. Dual

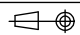
NOTE: 3
 INTERFACE INFORMATION:
 Pressure Rating Bar: 1380
 Material: Intervention
 Weight: 5,5 kg
 Volume: 0,78 dm³
 Surface Area: 1510 cm²
 Hydraulic: MP 9/16"
 Mechanical: N/A
 Electrical: N/A
 Com. & Protocol: N/A



Rev.	Date	Reason for issue	Revision change	Made	Chk'd	Appr.
03	12.1.2026	9-IFU (Issued for Use)		WTJ	HNJ	WTJ
02	13.1.2022	9-IFU (Issued for Use)		WTJ	HNJ	WTJ
01	24.11.2020	7-IFC (Issued for Construction)		HNJ	LGH	HNJ

BLUE LOGIC 

This Drawing is the Property of Blue Logic AS © and must Not be Loaned, Reproduced or Transferred to others without written Permission

Dwg Scale:	NTS
Dwg Proj:	
Dwg Format:	A3

Drawing title:	Ø43 DP Stab 20k Interv wCV MP 9/16"	
Drawing number:	BB2400	Rev: 03